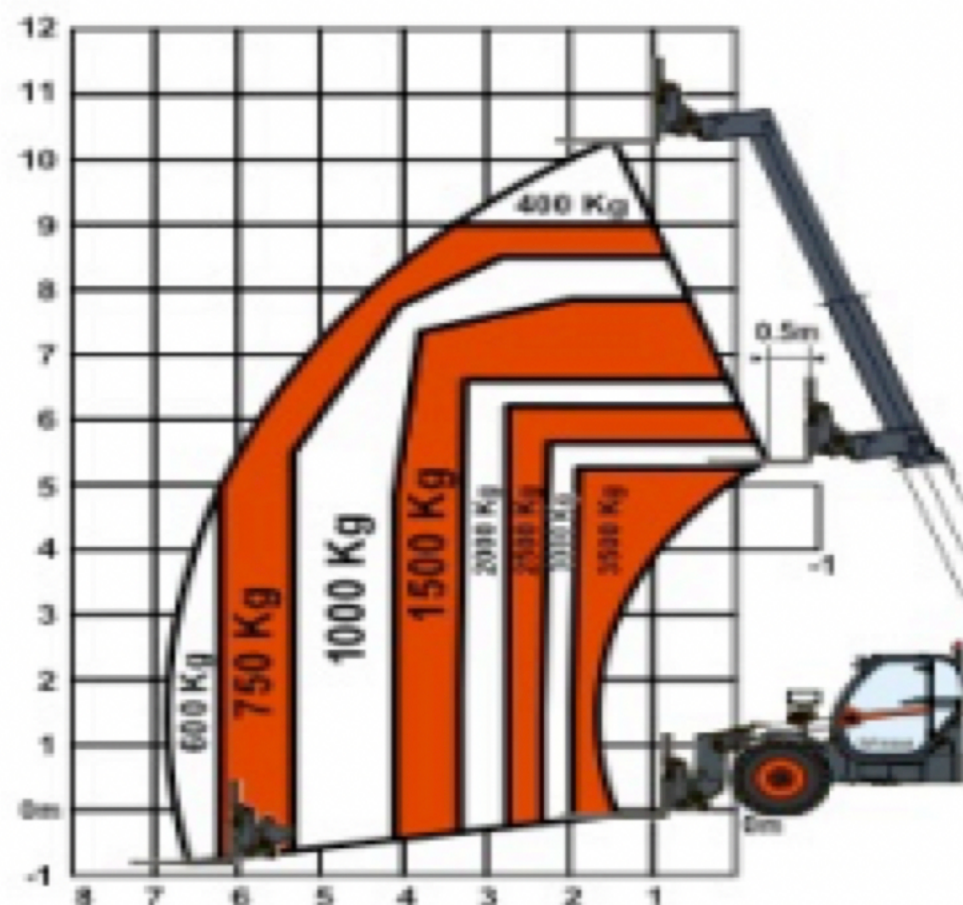




Abaques de charge

Avec fourches et pneus standard 405/70x20

 **Bobcat. T35105**

EN 1459

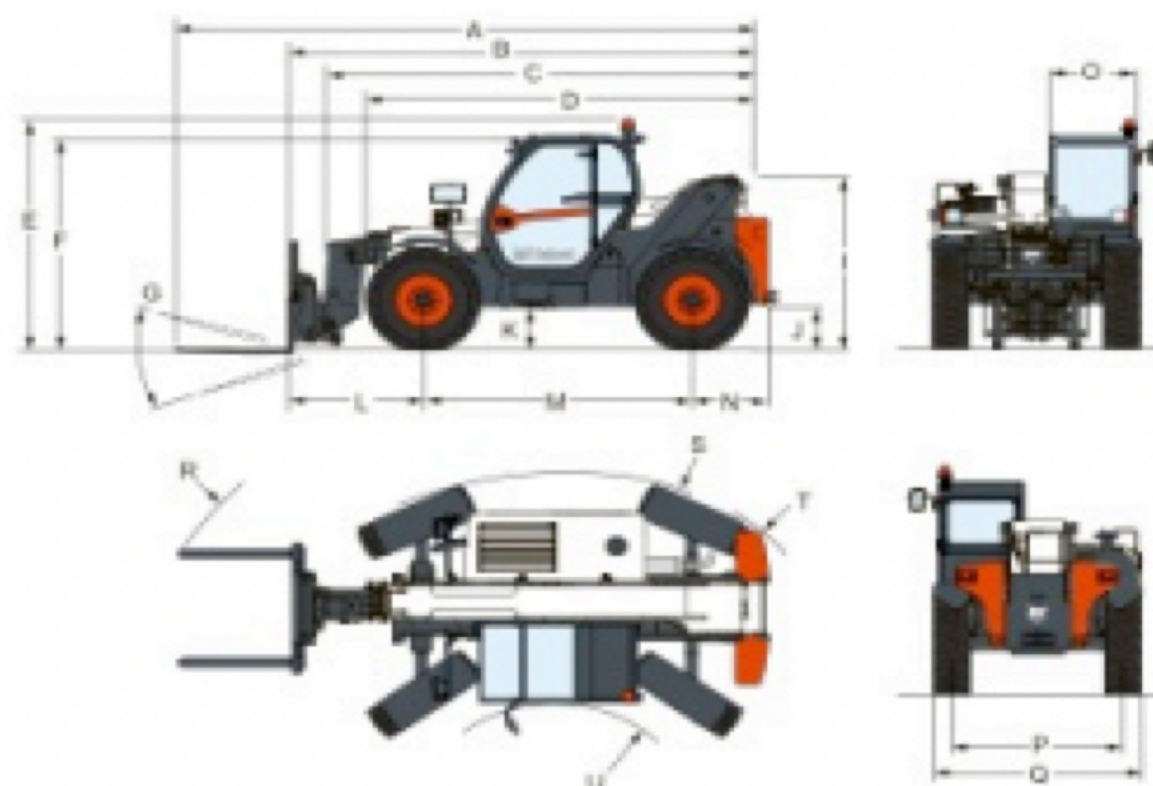


	DUNLOP 405/70-20 150B T37	4.00 [58]	 bar [psi]
	DUNLOP 405/70R20 160A2 152J MPT SPT9	5.50 [80]	
	SOLIDEAL 405/70-20/14PR	4.50 [65]	
	TITAN 405/70-20 150B/160A2 LIFT RIGGER II	4.00 [58]	

92609 SW

7260622 enFR

Dimensions



(-)	857.0 mm	(L)	1422.0 mm
(A)	6276.0 mm	(M)	2850.0 mm
(B)	5071.0 mm	(N)	799.0 mm
(C)	4936.0 mm	(O)	930.0 mm
(D)	4192.0 mm	(P)	1862.0 mm
(E)	2584.0 mm	(Q)	2264.0 mm
(F)	2389.0 mm	(R)	5025.0 mm
(G)	143°	(R)	5116.0 mm
(I)	1941.0 mm	(S)	3765.0 mm
(J)	415.0 mm	(U)	1245.0 mm